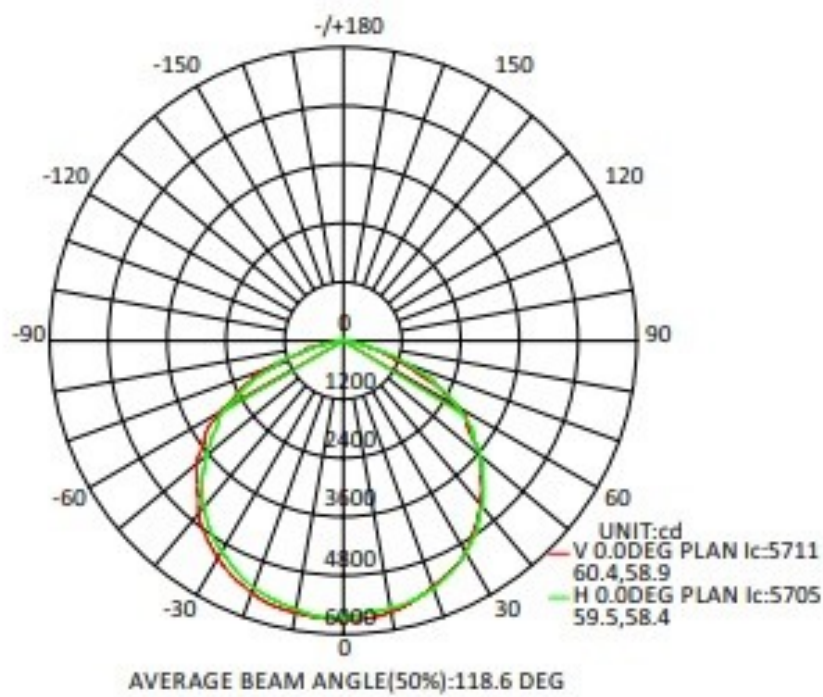
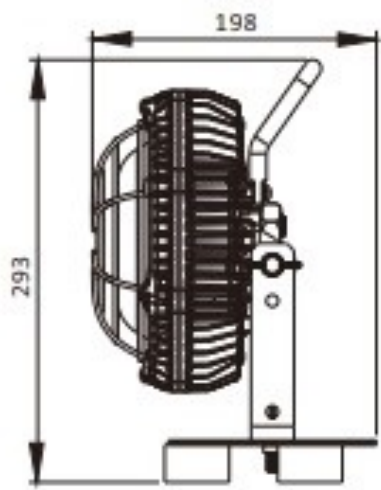




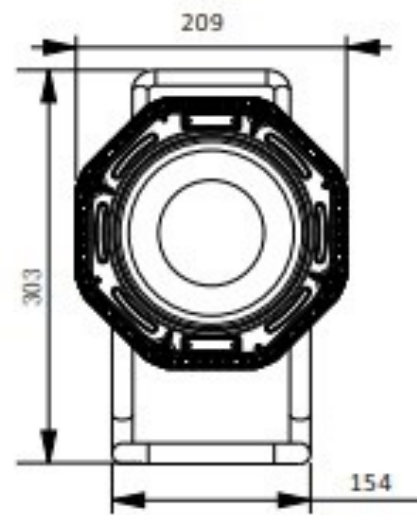
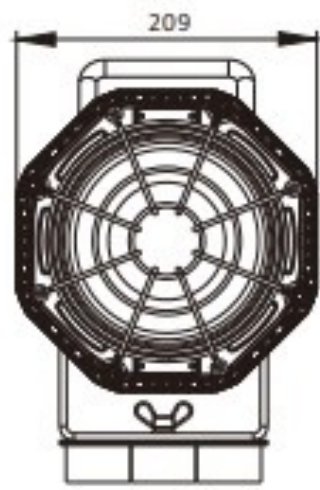
## Candela Distribution



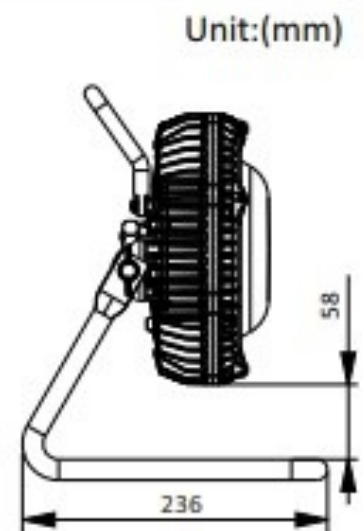
H6V6(120°)/High efficacy LED Source



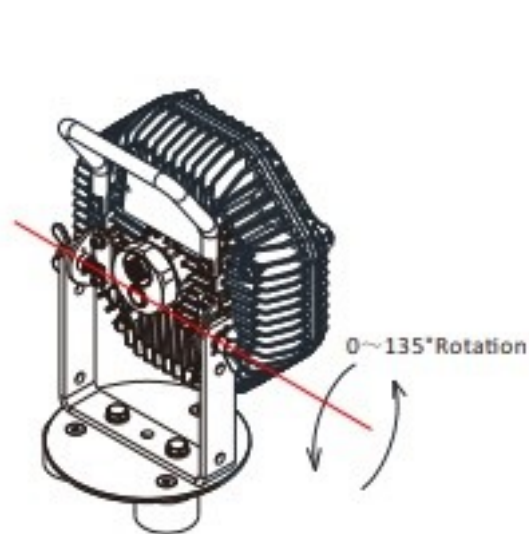
Magnet bracket



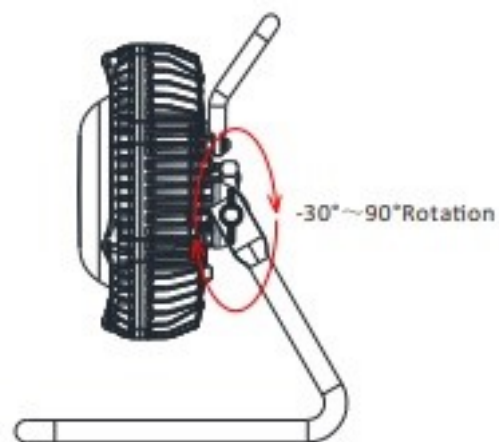
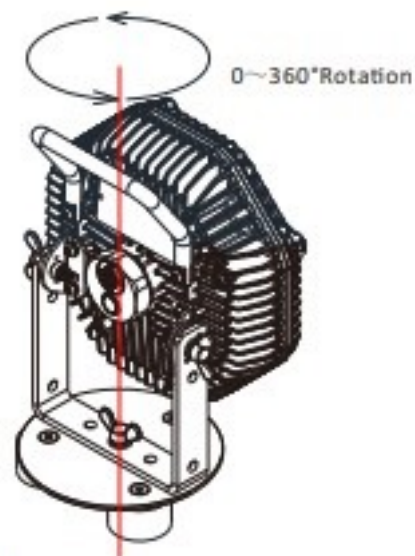
Stainless steel bracket



Unit:(mm)



Magnet bracket



Stainless steel bracket